

# PRODUCT BULLETIN

## GFCI PLACEMENT

A Ground Fault Circuit Interrupter (GFCI) is an optional accessory available on most Dynamic Lighting poles. We offer recessed (GFCI-RM) or surface mounting (GFCI-SM). The receptacle will be finished in the same color as the pole and generally will be mounted in one of three locations; the top or bottom of the shaft or in the base. All poles with a 4" or 5" diameter shaft will accommodate the top or bottom shaft mounting option, however not all poles can accommodate the base mounted option.

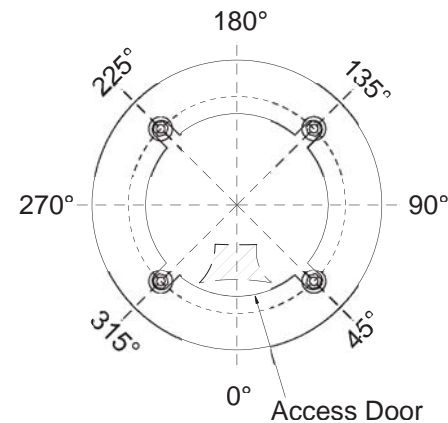
This bulletin lists and illustrates which poles are capable of base and shaft mounted options and the standard location of the GFCI when specified. Please note that in many cases the GFCI can be mounted at other specified heights however, factory consultation and approval should be obtained before specifying.

When ordering a GFCI please indicate it's location by specifying TOP, BOTTOM or BASE as shown in the individual sections within this bulletin. All GFCI installations will be automatically oriented relative to the access door as shown in this bulletin unless stated otherwise.

If other than standard orientation is desired, the orientation (in degrees from access door) must be specified. For your convenience we have included an orientation guide on the back cover of this bulletin for reference purposes. Actual guides are located on each pole page within the catalog.

### Typical Pole Orientation

See catalog for individual door placement.



**GCO**  
A single grounded convenience outlet is for 3" OD smooth shafts. A **GCO** may be used in conjunction with a base mounted **GFCI-IM** to provide power to the top of the shaft. It is only weatherproof when closed. Standard location is 6" from top of shaft. **GCO** must be used on a GFCI protected circuit to meet NEC standards.

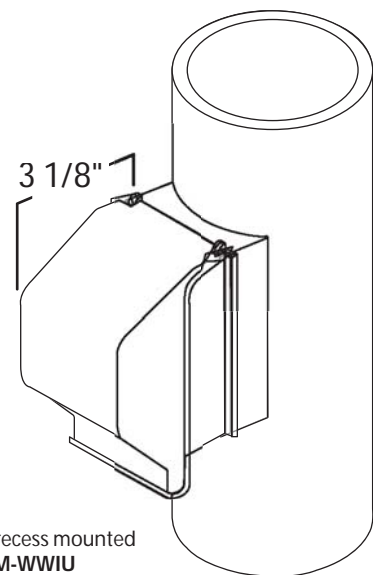


**GFCI**  
The 20 amp, 125 volt, ground fault circuit interrupter duplex receptacles are recessed (**RM**) or surface mounted (**SM**) to the shaft or base. The receptacles shall have a cast aluminum UL listed cover. The **GFCI-WWIU** (shown below) has a cover that is suitable for wet locations while in use. This receptacle and cover shall mount to an outlet opening, in the post shaft or base, with a gasket and stainless steel screws. Finish will match pole.

### WWIU OPTION

#### GFCI-WWIU (Optional)

The **GFCI-WWIU** has a cover that is suitable for wet locations while in use. This receptacle and cover shall mount to an outlet opening, in the post shaft or base, with a gasket and stainless steel screws. Finish will match pole.



Shown recess mounted  
GFCI-RM-WWIU

