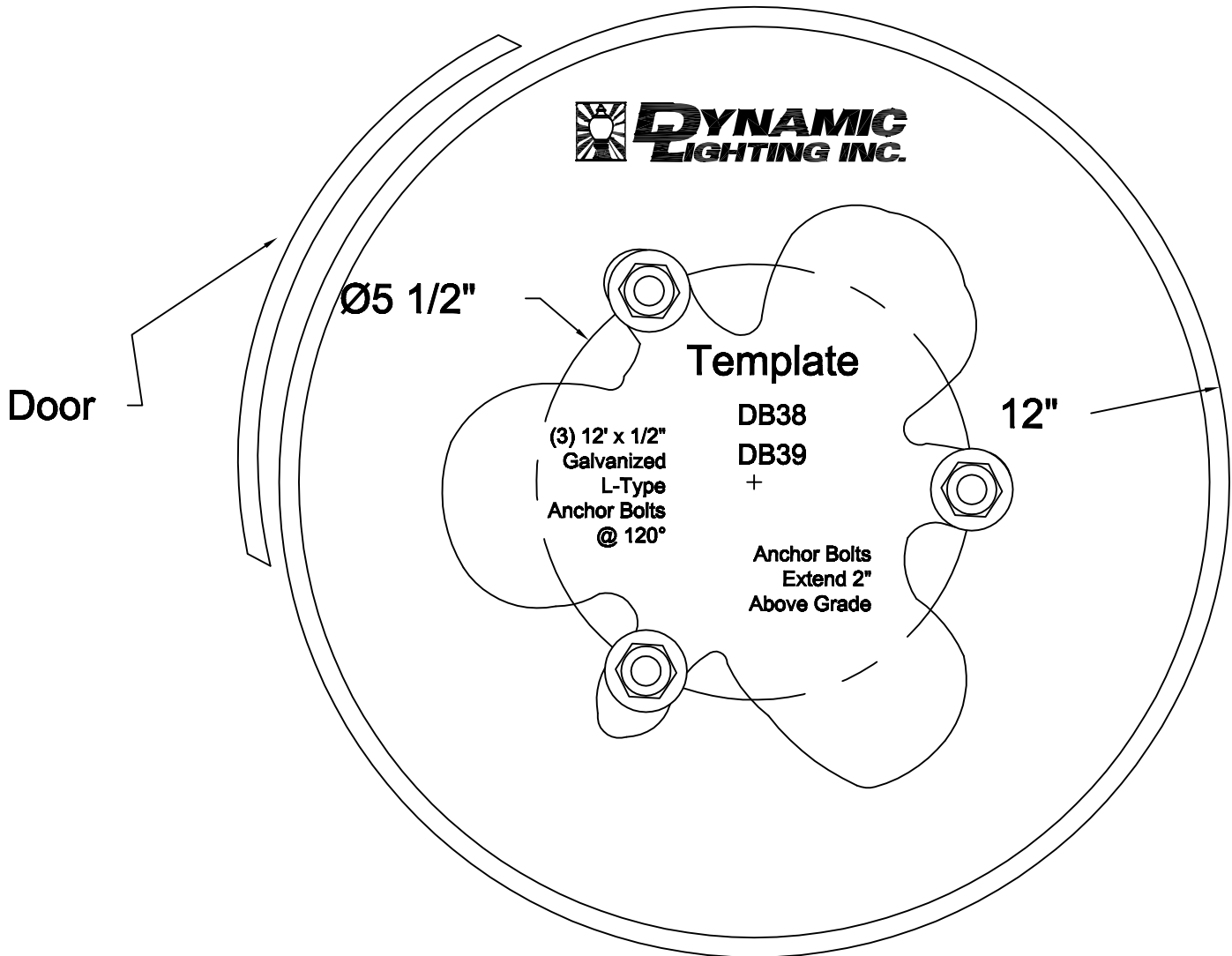


Please note scale when printing template.  
Check Measurement for Accuracy before using.



**SCALE 1:2**