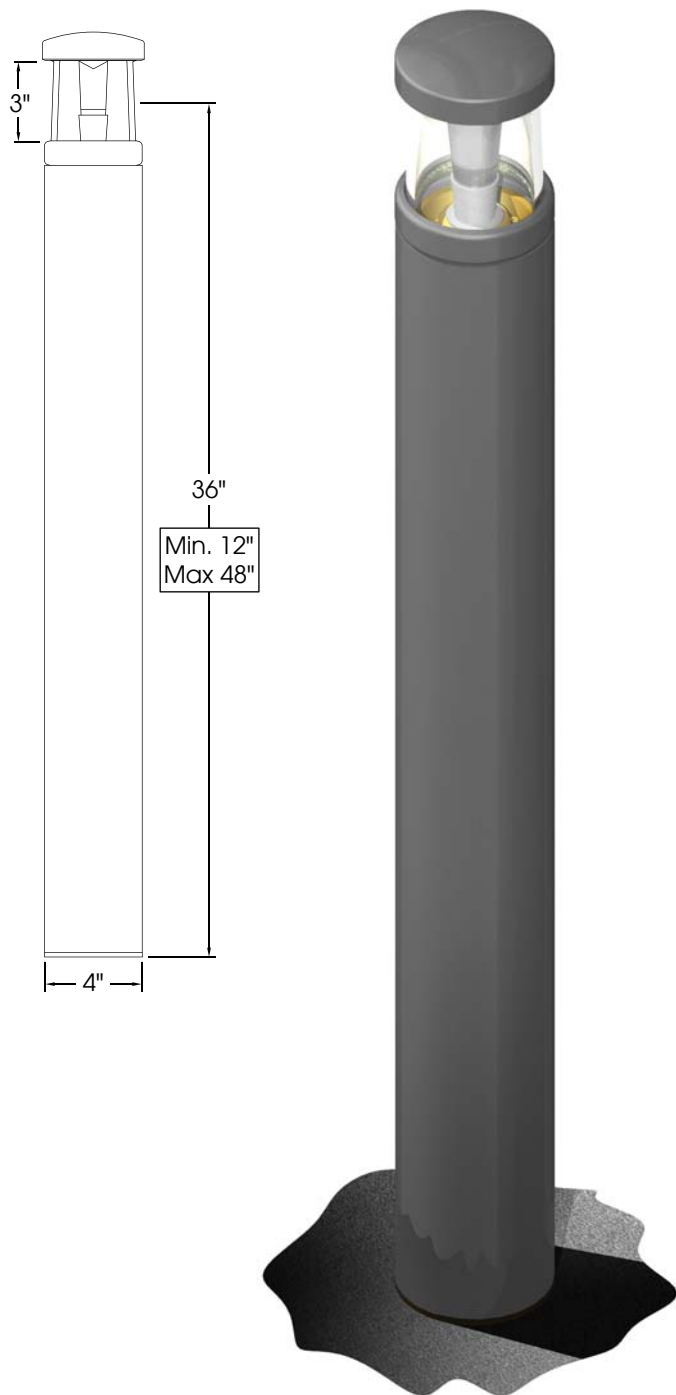


LED integration throughout the site is now possible with Amerlux's High Performance Bollard collection, which now includes a highly efficient and long lasting LED. This 4" LED Bollard features consumption of only 18 watts. An IP68 pressure-tight sealed lamp/optical chamber prevents moisture, dirt, soot, bugs etc. from entering and degrading the optical performance. It features a column/compression engineered structure resulting in an extremely durable bollard. The mini bollard features a unique tool-less access system, yet maintains a high degree of vandal resistance with no visible fasteners or hardware of any kind, assuring long life and trouble free performance in the most demanding environments.



IP68 Rated

### Specifications/Features:

#### Enclosure Material:

Stainless Steel housing tube and visible top cap casting, 304 alloy standard. Internal cast components are machined red brass.

#### Lens:

Pressed/molded glass, ¼" thick, chemically strengthened to a rupture stress greater than 300 N/mm<sup>2</sup>, and resistant to 80°C thermal shock.

#### Gaskets:

High temperature silicone seals resistant to ozone, and UV degradation in the optical and driver chambers, neoprene rubber in the junction box enclosure.

#### Optical Assembly:

Injection molded acrylic tapered light column with vacuum metalized reflector and light control film to reduce glare.

#### LED Array:

3000K CCT single Bridgelux BXRA-W1202 LED delivering approximately 800 lm. It runs at approximately 18W with a 120VAC input.

#### LED Driver Module:

LP1020-17-C1050 Magtech Driver running at 1050ma

#### Driver Enclosure:

The brass driver enclosure is sealed with o-rings to allow for driver replacement.

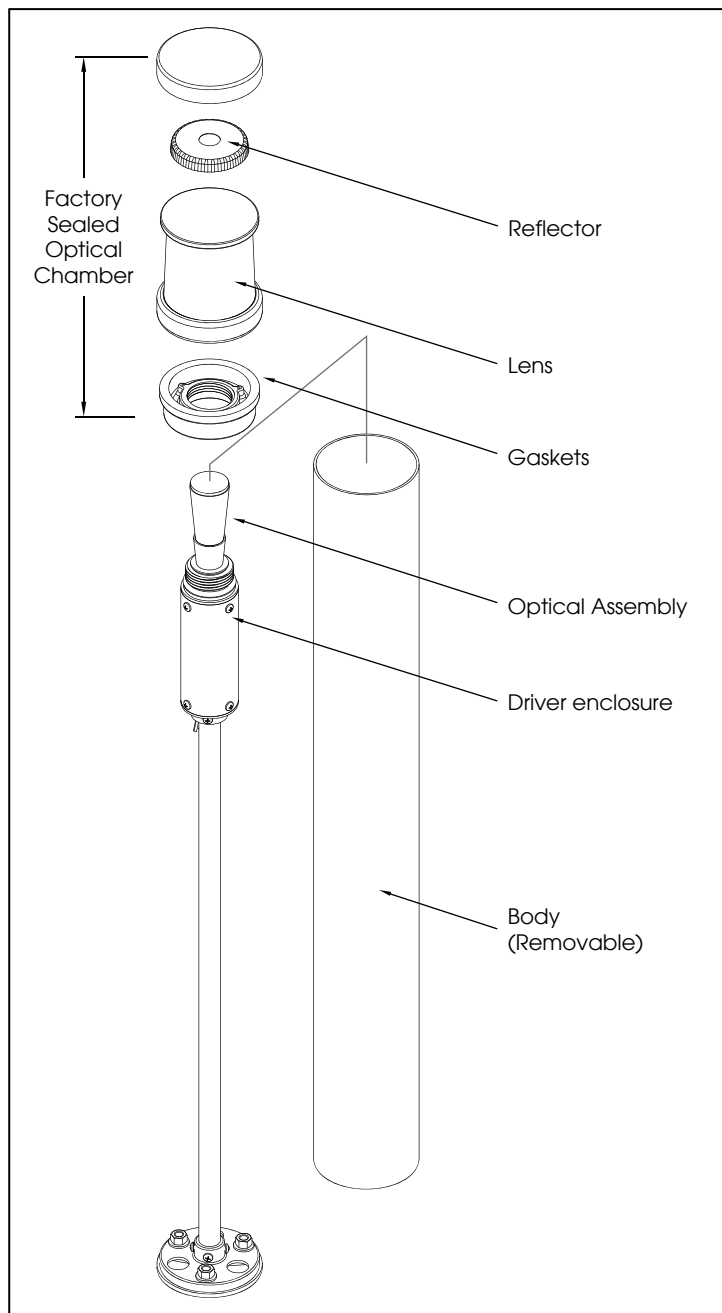
#### Mounting/field wiring:

Three 3/8" x 12" stainless steel L-hook anchor bolts, each with 2 nuts and washers, heavy sand cast red brass base-plate casting has 3 openings for ½" conduit to pass through and stub up above grade minimum 6" within bollard enclosure, which provides space for field wiring and through branch circuiting.

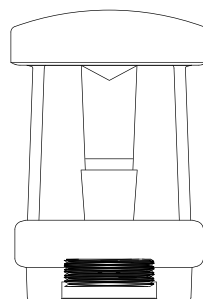
#### Finish:

Natural brushed 120 grit

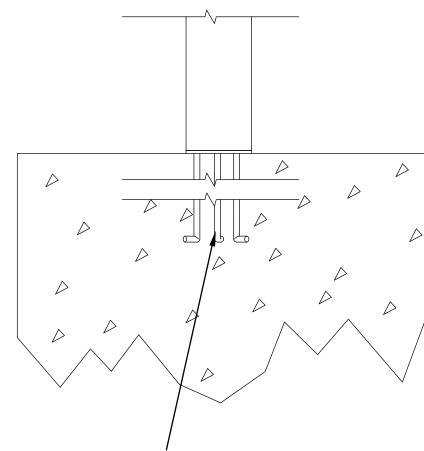
# 4" LED Mini Bollard - Stainless Steel



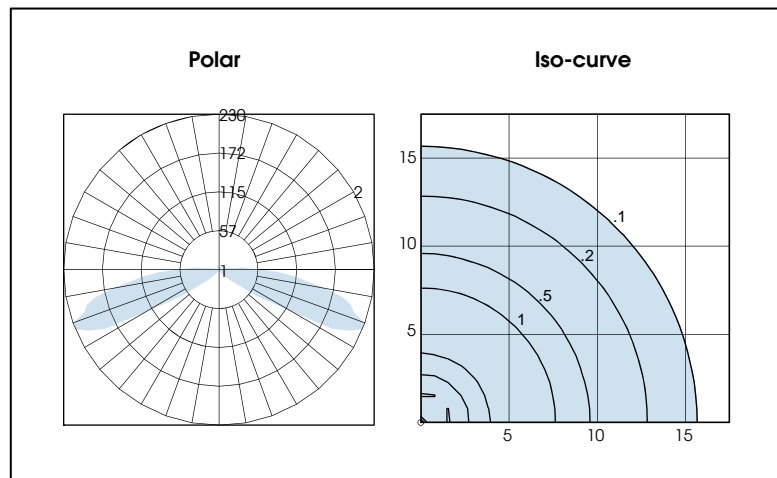
**Optical Chamber View**



**Anchorage Details**



Three 3/8" x 12" stainless steel L-hook anchor bolts, each with 2 nuts and washers, heavy sand cast red brass base-plate casting has 3 openings for 1/2" conduit to pass through and stub up above grade minimum 6" within bollard enclosure, which provides space for field wiring and through branch circuiting.



**ORDERING INFORMATION:**

MODEL (Description)	FINISH	LIGHT SOURCE	COLOR TEMPERATURE	LIGHT CENTER
<b>DMB4SS</b> (4" Stainless Steel)	<b>BSH</b> (std)	<b>LED</b>	<b>3000K</b> <b>5000K</b>	<b>STD 36"</b> <b>MIN 12"</b> <b>CSTM _____</b> <b>MAX 48"</b>
Sample: <b>DMB4SS / BSH / LED / 3000K / 24"</b>				
<b>Part #</b> <b>DMB4SS / BSH / LED / /</b>				