

All wall brackets are constructed of corrosion resistant cast aluminum (A319 Alloy).

All brackets have a nominal 3" OD tenon for luminaire mounting, and four holes in the back plate for mounting to the wall. (Wall mounting hardware is not included, due to the wide variety of backing materials. Customer should determine the appropriate anchoring hardware based on the wall material.)

Finish

The fixture will be finished with a premium quality, durable thermoset polyester powdercoat for a durable finish.

Standard solid colors are:

GRN - Green

CLB - Classic Bronze

TBK - Textured Black

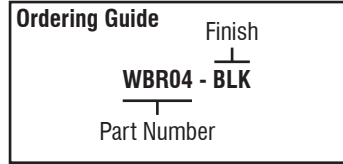
BLK - Satin Black

Premium finishes are:

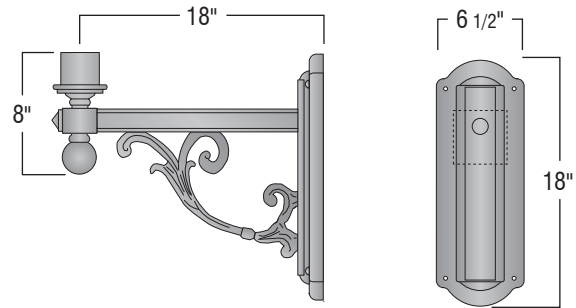
GTG - Granite Green

ATC - Antique Copper

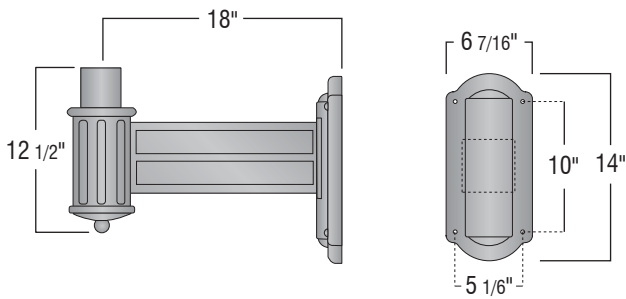
WHT - White



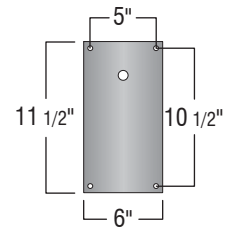
WBR02



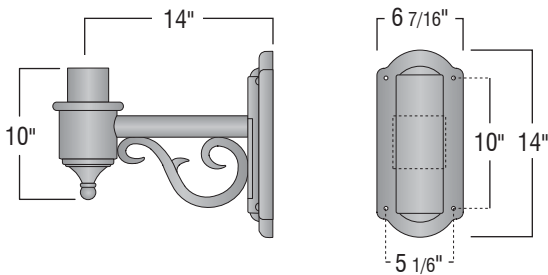
WBR04



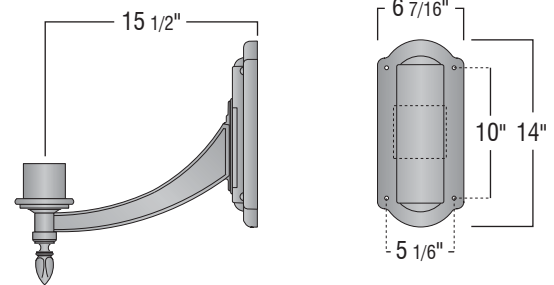
WBR05



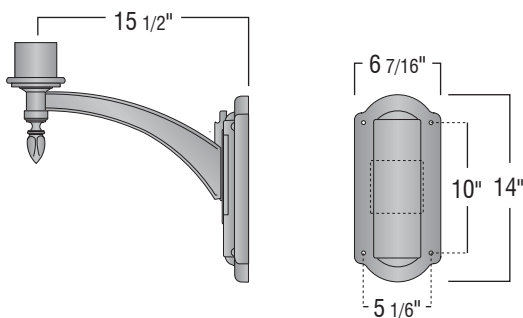
WBR07



WBR08D



WBR08U



WBR09

