

Description

The **CBR-33** Series, **BR50** Series, and the **D102** crossarm are large scale brackets designed for use on poles with a 5" OD extruded shaft or many of the larger scale tapered fluted cast poles in our catalog. The **D102** is designed to accommodate many of our larger scale luminaires that mount upright on a 3" OD tenon. The **CBR33** Series can be used for fixtures that are capable of being pendant mounted as well as standard upright mounting. The **BR50** Series is a heavy cast arm capable of holding a four light combination.

Installation

These heavy wall cast aluminum brackets require a post with a 4" OD x 6" tall tenon. The bracket will slip fit the tenon and attach with (6) cone pointed stainless steel socket set screws. The **D102** and **BR50** Series are equipped with 4" OD tenons for luminaire mounting. The **CBR-33U** series will have a 3" OD tenon for upright fixture mounting. The **CBR-33D** will accept pendant mounted fixtures with up to a 1.9" OD internal tenon.

Finish

The bracket will be finished with a premium quality thermoset polyester powdercoat for a durable finish.

Standard solid colors are:

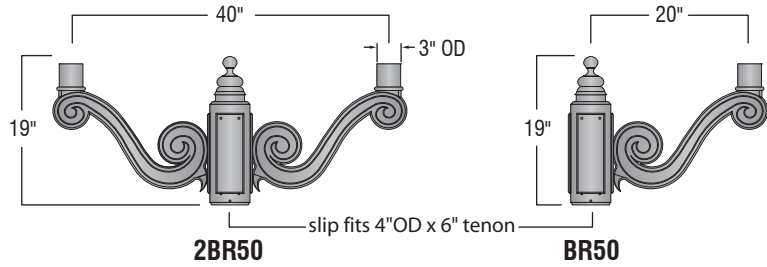
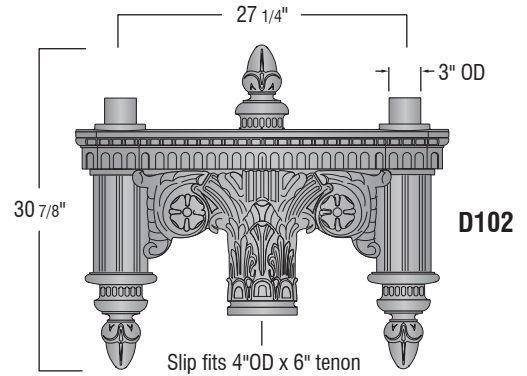
- GRN** - Green
- CLB** - Classic Bronze
- TBK** - Textured Black
- BLK** - Satin Black

Premium finishes are:

- GTG** - Granite Green
- ATC** - Antique Copper
- WHT** - White

Ordering Guide

Part Number **D102 - BLK**
Finish



Specify four arms **4BR50**

