

**Description**

The **BR02 Series** consists of heavy wall cast aluminum luminaire brackets designed for post or wall mounting. Post mounted brackets attach to the side of the pole leaving the standard tenon available for a center light, or to be capped with one of two decorative finials as shown. It is designed to be used on a pole with a min. 4" OD shaft.

**Installation**

The post mounted brackets attach to a cast aluminum back-plate with (2) 3/8" diameter hex head, stainless steel bolts. The cast aluminum back-plate is welded to the selected pole. The orientation of the bracket in relation to the pole's access door must be specified, because field adjustment is not possible.

The wall bracket will have (4) holes for mounting (mounting hardware supplied by others).

**Finish**

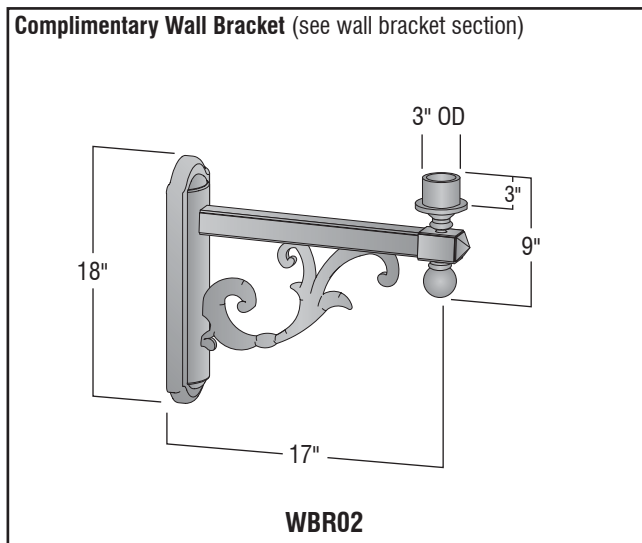
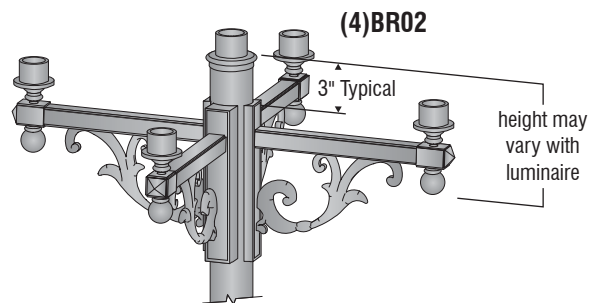
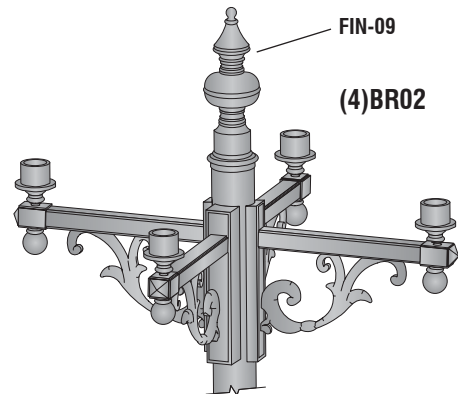
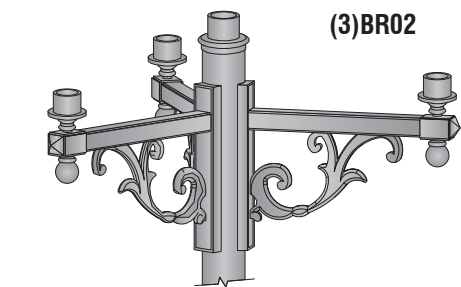
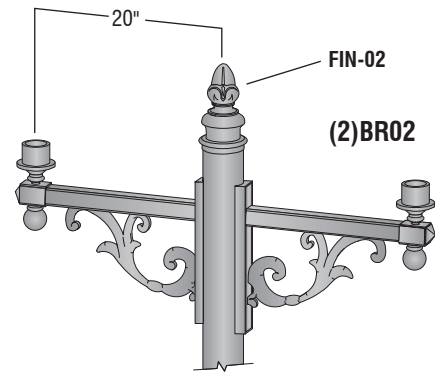
The bracket will be finished with a premium quality thermoset polyester powdercoat for a durable finish.

Standard solid colors are:

- GRN** - Green
- CLB** - Classic Bronze
- TBK** - Textured Black
- BLK** - Satin Black

Premium finishes are:

- GTG** - Granite Green
- ATC** - Antique Copper
- WHT** - White



**Ordering Guide**

Part Number	Optional Finial
(2)BR02 - BLK - FIN02	
Quantity	Finish