

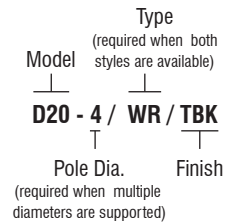
Our pole base covers allow you to conceal unsightly existing anchor bolts or simply add a decorative element to a non-decorative pole. There are models available for poles from 3" OD up to 7" OD. All covers (except as noted) are constructed of corrosion resistant cast aluminum. The base covers fall into two general types as shown below. When a particular cover is available in both types, the desired type must be specified.

WR (Wrap around) – The cover will consist of two identical halves (split vertically) that will bolt or screw together after being positioned on the pole. This style is generally easier to install on existing poles.

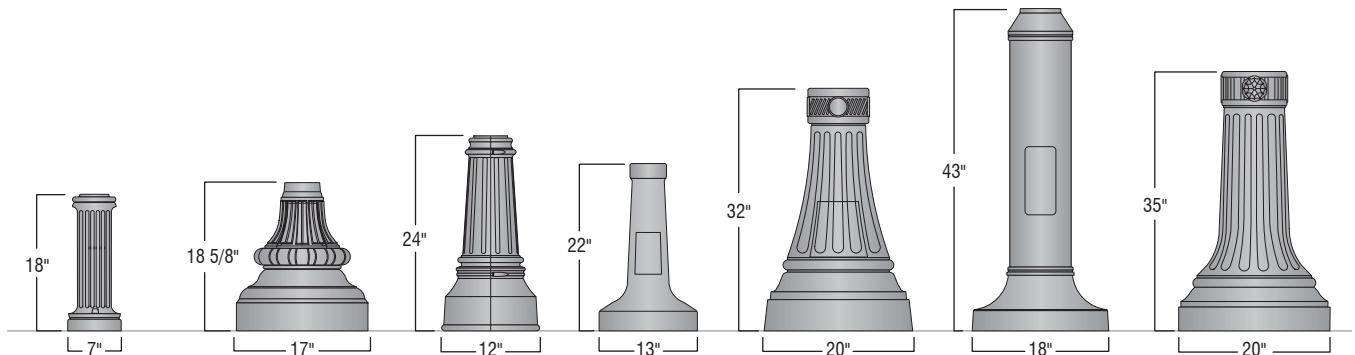
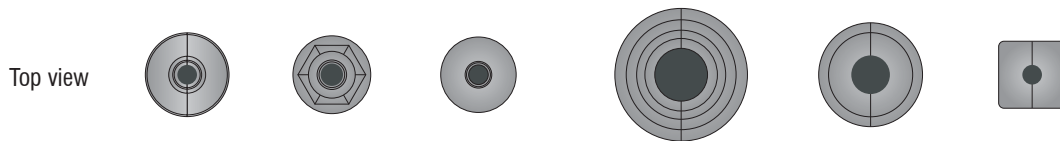
SL (Slip-over) – The one piece cover must be slipped over the pole after installation, before any luminaires are installed. The tenon or fitter must not exceed the diameter of the shaft. This style is typically more difficult to install, however it is generally much better for vandal prone areas.

Note: If the pole is existing or supplied by others, we must have the details of the mounting plate.

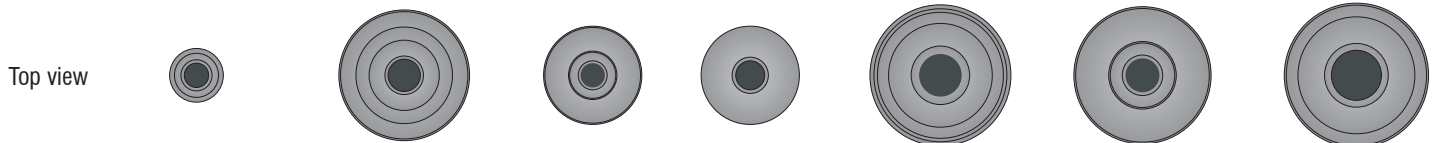
Ordering Guide



	(spun aluminum)			(fabricated aluminum)		
Model	2PC-COV	DBC-10	COV	D90R Cover	CC14-5	4-COV
Type	WR	WR	SL	SL, WR	SL, WR	WR
Fits shaft	3" OD	3" OD	3" OD	4"- 5" OD	5" OD	4" OD



Model	D70	D1300	DBC50	PB-16	D20	EA8-BC	DSD20
Type	SL	SL, WR	WR	SL, WR	SL, WR	SL, WR	SL, WR
Fits shaft	3" OD	4" OD	3"- 4" OD	4" OD	4-5" OD	5" OD	5"- 7" OD



Finish

The base cover will be finished with an electrostatically applied thermo-set polyester powder coat. Prior to finishing, the parts are thoroughly cleaned using both abrasive and chemical methods. Our powder coat finish is durable, long lasting, attractive and scratch resistant as well as environmentally friendly. We offer 7 stock finishes or hundreds of special order colors including custom matching for existing projects (stock colors shown at right).

Standard solid colors are:

- GRN** - Green
- WHT** - White
- CLB** - Classic Bronze
- TBK** - Textured Black
- BLK** - Satin Black

Premium finishes are:

- GTG** - Granite Green
- ATC** - Antique Copper

