

Charleston Series

Features

10 1/2" octagonal and fluted aluminum base with exterior mounting plate and 11 1/2" square base cover (.250 min. wall)

Choice of extruded shafts (.125 wall)

- 3" OD smooth round
- 3" OD fluted (12 flat flutes)
- 4" OD smooth round
- 4" OD fluted (12 flat flutes)
- 4" to 3" tapered

Extruded shaft is circumferentially welded to the base

3" tenon for luminaire mounting

Strong yet lightweight for ease of installation

Galvanized anchor bolts included

Access door for anchor bolts and wiring is secured with tamper resistant stainless steel screws

Ground lug provided inside base

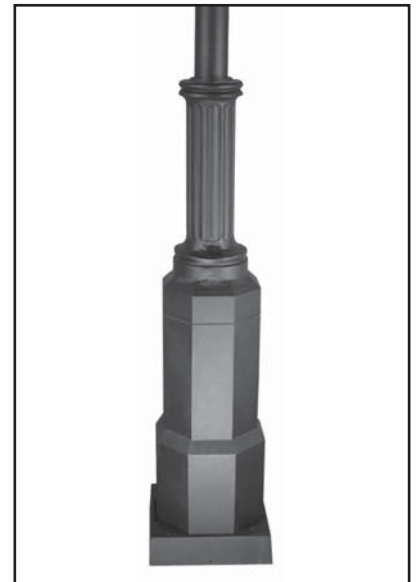
Materials

Base and Cover - Cast aluminum (A319)

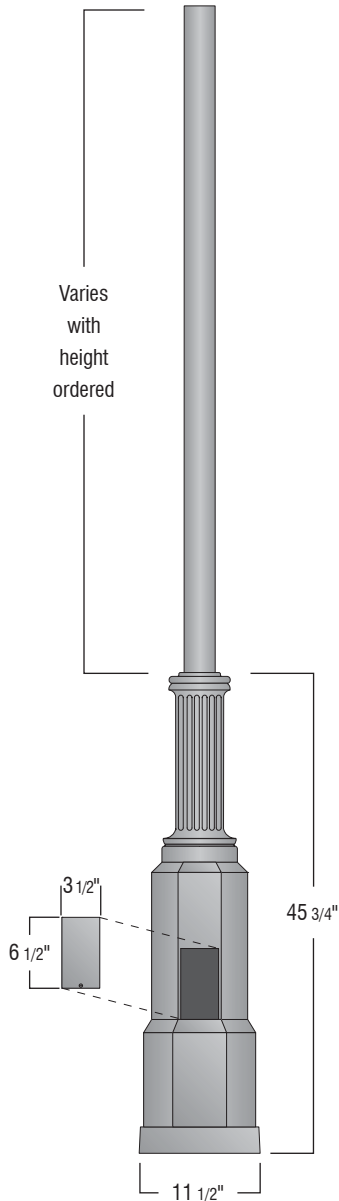
Shaft - Extruded aluminum (6005-T5)
- Tapered aluminum (6063-T6)

Tenon - Cast aluminum (A319)

Anchor Bolts - Hot dipped galvanized steel



D4070-xx	D4071-xx	D4072-xx	D4073-xx	D4074-xx	overall height
D4070-08	D4071-08	D4072-08	D4073-08	D4074-08	7'-10"
D4070-10	D4071-10	D4072-10	D4073-10	D4074-10	9'-10"
D4070-12	D4071-12	D4072-12	D4073-12	D4074-12	11'-10"
		D4072-14	D4073-14	D4074-14	13'-10"



Finish

The post will be finished with an electrostatically applied thermoset polyester powder coat. Prior to finishing, the parts are thoroughly cleaned using both abrasive and chemical methods. Our powder coat finish is durable, long lasting, attractive and scratch resistant as well as environmentally friendly. We offer 7 stock finishes or hundreds of special order colors including custom matching for existing projects (stock colors shown below).

Standard solid colors are:

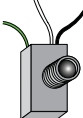
- GRN** - Green
- CLB** - Classic Bronze
- TBK** - Textured Black
- BLK** - Satin Black

Premium finishes are:


- GTG** - Granite Green
- ATC** - Antique Copper
- WHT** - White

Accessories See "Accessories" section for more information

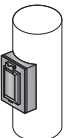
PCL
Dusk to dawn photocell
Available for 120v (PCL)
or 208-277v (PCL multi).




Banner Arms
Field rotatable
or fixed location
banner arms.



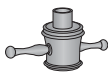
GFCI
Ground fault circuit
protected duplex outlet.
Available Recess mounted
(**GFCI-RM** 4" shafts or base
mount only) as shown or
surface mount (**GFCI-SM**).



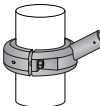
Street Signage
Several mounting
options and custom
signs available. See
guide in accessories
section.



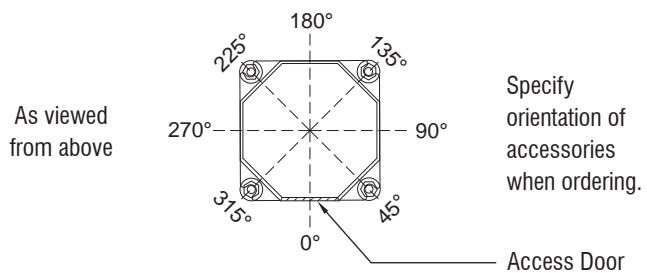
LR
Cast aluminum decorative
ladder rest. Slip fits 3"o.d.
pole or tenon (not
designed to support
ladder).



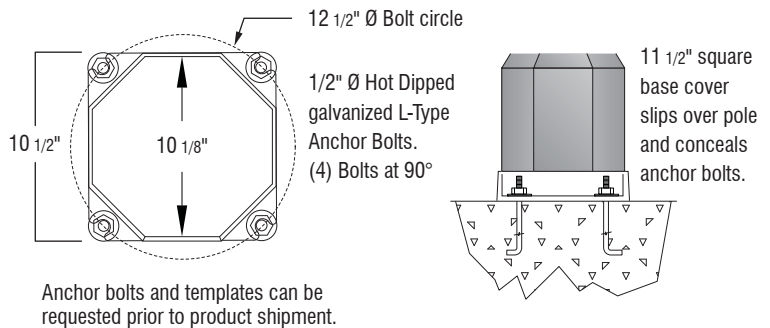
FPH-4
Extruded aluminum
holder for 1" OD flag
poles. Available for
4" OD and
non-tapered pole.



Accessory Orientation Guide



Anchor Details



Ordering Guide

