

Description

The **BR08U Series** cross arms feature a strong yet lightweight design for ease of installation. The series can accommodate a wide variety of fixtures. It is designed to be used on a pole with a min. 4" OD shaft.

Construction

Crossarms are shipped as a one piece unit as shown. Crossarms are constructed from ASTM 319 aluminum. Exterior hardware is stainless steel and tamper resistant.

Finish

The bracket will be finished with a premium quality thermoset polyester powdercoat for a durable finish.

Standard solid colors are:

GRN - Green

CLB - Classic Bronze

TBK - Textured Black

BLK - Satin Black

Premium finishes are:

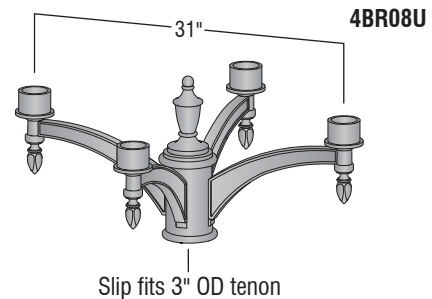
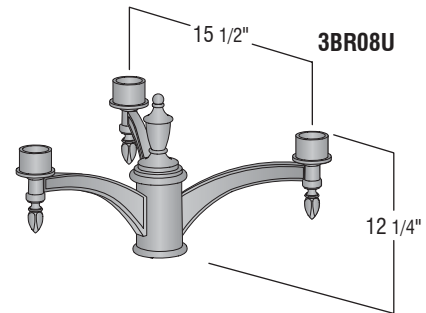
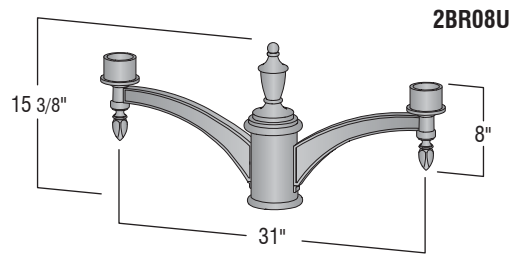
GTG - Granite Green

ATC - Antique Copper

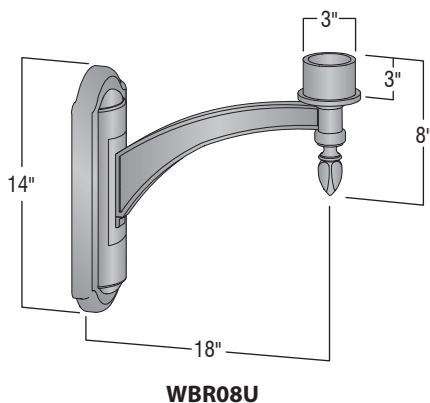
WHT - White

Installation

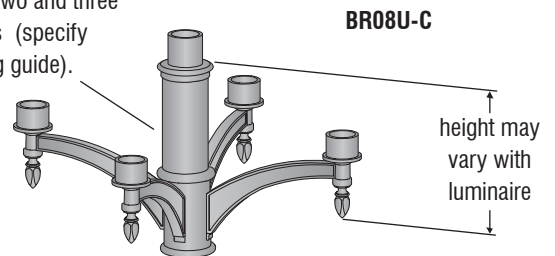
Crossarms will fit a post top tenon and attach with (6) 5/16" dia. set screws. Set screws will be cone pointed and stainless steel. The center finials are removable. Crossarms are equipped with 3" O.D. tenons for luminaire mounting.



Complimentary Wall Bracket (see wall bracket section)



Center extension is also available with the two and three bracket crossarms (specify "-C" in the ordering guide).



Ordering Guide

Part Number **3BR08U-C** - **BLK** Finish
Optional Center Tenon