

Description

The **BR08D Series** cross arms feature a strong yet lightweight design for ease of installation. The series can accommodate a wide variety of commercial fixtures. It is designed to be used on a pole with a min. 4" OD shaft.

Construction

Crossarms are shipped as a one piece unit as shown. Crossarms are constructed from ASTM 319 aluminum. Exterior hardware is stainless steel and tamper resistant.

Finish

The bracket will be finished with a premium quality thermoset polyester powdercoat for a durable finish.

Standard solid colors are:

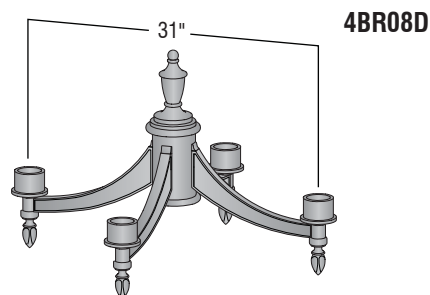
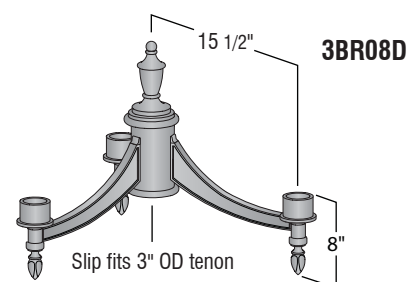
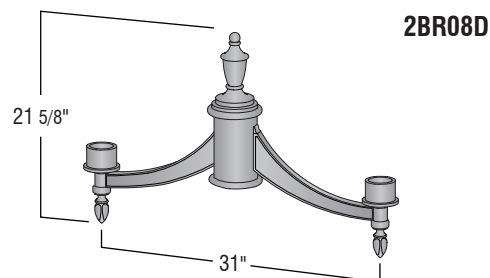
- GRN** - Green
- CLB** - Classic Bronze
- TBK** - Textured Black
- BLK** - Satin Black

Premium finishes are:

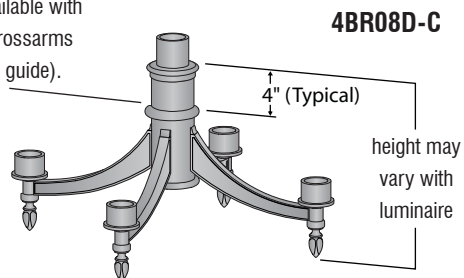
- GTG** - Granite Green
- ATC** - Antique Copper
- WHT** - White

Installation

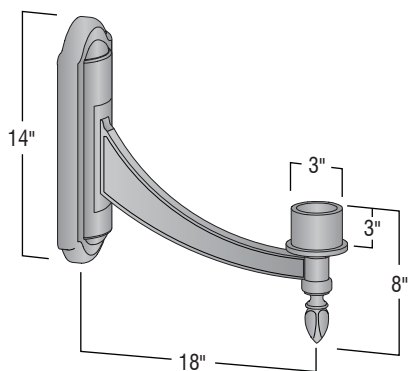
Crossarms will slip fit a 3" OD post top tenon and attach with two rows of 5/16" dia. set screws. Set screws will be cone pointed and stainless steel. Crossarms and wall brackets are equipped with 3" O.D. tenons for luminaire mounting.



Center extension is also available with the two and three bracket crossarms (specify "-C" in the ordering guide).



Complimentary Wall Bracket (see wall bracket section)



WBR08D

Ordering Guide

